



High efficient hardmount industrial washer-extractors

IA80 - IA105 - IA135

Features

- Rigid mounted, normal spin, 100G factor
- Stainless steel top and front panel, black side panels
- Stainless steel drum and tub
- Aries - easy to use microprocessor
- Patented soap hopper
- Large drain valve (Ø 76 mm)
- Easy access to all vital parts from the front
- Large door opening for easy loading & unloading

Options

- 175G factor
- Aries Elite - Fully programmable
- Coin operated
- Stainless steel side panels
- USB plug (on the back panel)
- Liquid soap connection
- Liquid soap pumps
- Water recovery kit
- Steam heating version
- Drain pump (IA80)
- 3rd water inlet



ERGONOMICAL
CONSTRUCTION



LARGE DOOR
OPENING



LOW WATER
CONSUMPTION



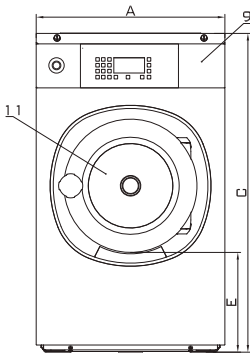
LOW ENERGY
CONSUMPTION

	IA80	IA105	IA135
Innerdrum			
Capacity 10:1	8 kg	11 kg	14 kg
Capacity 9:1	9 kg	12 kg	15 kg
Volume	75 l	105 l	135 l
Diameter	530 mm	620 mm	620 mm
Drum speed			
Wash	50 rpm	46 rpm	46 rpm
Extraction	580 rpm (100G) - 770 rpm (175G)	540 rpm (100G) - 710 rpm (175G)	540 rpm (100G) - 710 rpm (175G)
G-factor	100 (optional 175)	100 (optional 175)	100 (optional 175)
Heating			
Electricity	6 kW	9 kW	12 kW
Steam	1 - 8 bar	1 - 8 bar	1 - 8 bar
Hot water	90 °C	90 °C	90 °C
Sound pressure level	< 65 dB (A)	< 65 dB (A)	< 65 dB (A)
Water valves connection	3/4" BSP	3/4" BSP	3/4" BSP
Water pressure	100-800 kPa	100-800 kPa	100-800 kPa
Rec. Water pressure	300-500 kPa	300-500 kPa	300-500 kPa
Water inlet	20 l/min	20 l/min	20 l/min
Drain valve outer	Ø 76 mm	Ø 76 mm	Ø 76 mm
Flow amount with drain valve	210 l/min	210 l/min	210 l/min
Steam valve connection	1/2" BSP	1/2" BSP	1/2" BSP
Steam pressure	100-800 kPa	100-800 kPa	100-800 kPa
Transport data			
Gross weight	145 kg	185 kg	200 kg
Net weight	135 kg	170 kg	190 kg
Packing dimensions HxWxD	1245x710x835 mm	1355x800x835 mm	1355x800x950 mm

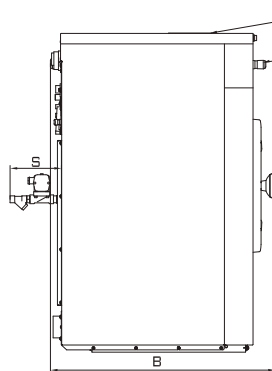
	A	B	C	D	E	F	G	H	I	J	K	L	M	N	O	P	Q	S
IA80	660	785	1115	676	349	166	88	920	1010	113	218	293	415	1020	1025	535	48	180
IA105	750	785	1225	676	342	225	98	1030	1120	113	218	338	505	1130	1135	480	42	192
IA135	750	900	1225	788	342	225	98	1030	1120	113	218	338	505	1130	1135	480	42	192
	width	depth	height															

	IA80
Water consumption	7,2 l/kg
Electricity consumption	0,19 kWh/kg

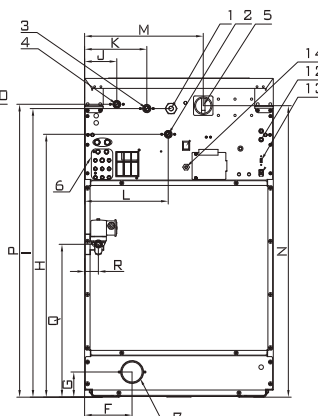
* Program No 11



FRONT



SIDE



BACK

- 1 Electrical connection
- 2 Hot water
- 3 Cold water hard
- 4 Cold water soft
- 5 Main switch
- 6 Liquid soap connection
- 7 Drain
- 8 Soap dispenser
- 9 Control panel
- 10 Button CENTRALSTOP
- 11 Door opening
IA80: Ø 330 mm
IA105, IA 135: Ø 410 mm
- 12 Fuses
- 13 USB port
- 14 Electrical connection to liquid soap pumps



High efficient hardmount industrial washer-extractors

IA180 - IA240 - IA280

Features

- Rigid mounted, normal spin, 100G factor
- Stainless steel top and front panel, black side panels
- Stainless steel drum and tub
- Aries - easy to use microprocessor
- Patented soap hopper
- High capacity water inlets (IA280)
- Large drain valve (Ø 76 mm)
- Easy access to all vital parts from the front
- Large door opening for easy loading & unloading

Options

- 175G factor execution
- Aries Elite - Fully programmable
- Coin operated timer
- Stainless steel side panels
- USB plug (on the back panel)
- Liquid soap connection
- Liquid soap pumps
- Water recovery kit
- Steam heating version
- 3rd water inlet
- High capacity water inlets (IA180, IA240)



ERGONOMICAL
CONSTRUCTION



LARGE DOOR
OPENING



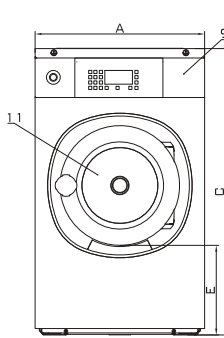
LOW WATER
CONSUMPTION



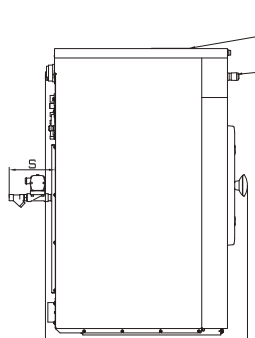
LOW ENERGY
CONSUMPTION

	IA180	IA240	IA280
Innerdrum			
Capacity 10:1	18 kg	24 kg	28 kg
Capacity 9:1	20 kg	27 kg	31 kg
Volume	180 l	240 l	280 l
Diameter	750 mm	750 mm	750 mm
Drum Speed			
Wash	42 rpm	42 rpm	42 rpm
Extraction	490 rpm (100G) - 645 rpm (175G)	490 rpm (100G) - 645 rpm (175G)	490 rpm (100G) - 645 rpm (175G)
G-Factor	100 (optional 175)	100 (optional 175)	100 (optional 175)
Heating			
Electricity	12 kW	18 kW	22 kW
Steam	1 - 8 bar	1 - 8 bar	1 - 8 bar
Hot Water	90 °C	90 °C	90 °C
Sound Pressure Level	< 65 dB (A)	< 65 dB (A)	< 65 dB (A)
Water Valves Connection	3/4" BSP	3/4" BSP	3/4" BSP
Water Pressure	100-800 kPa	100-800 kPa	100-800 kPa
Rec. Water Pressure	300-500 kPa	300-500 kPa	300-500 kPa
Water Inlet	20 l/min	20 l/min	20 l/min
Drain Valve Outer	Ø 76 mm	Ø 76 mm	Ø 76 mm
Flow Amount With Drain Valve	210 l/min	210 l/min	210 l/min
Steam Valve Connection	1/2" BSP	1/2" BSP	1/2" BSP
Steam Pressure	100-800 kPa	100-800 kPa	100-800 kPa
Transport Data			
Gross weight	270 kg	290 kg	305 kg
Net weight	255 kg	275 kg	290 kg
Packing dimensions HxWxD	1550x925x970 mm	1550x925x1130 mm	1550x925x1190 mm

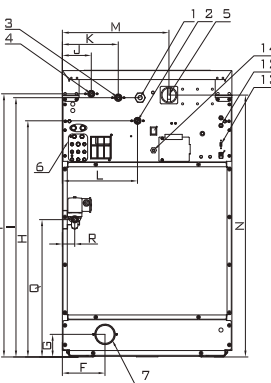
	A	B	C	D	E	F	G	H	I	J	K	L	M	N	O	P	Q	S
IA180	890	915	1410	815	465	280	130	1212	1297	113	218	303	625	1270	1317	528	54	120
IA240	890	1060	1410	960	465	280	130	1212	1297	113	218	303	625	1270	1317	528	54	120
IA280	890	1135	1410	1035	465	280	130	1212	1297	113	218	303	625	1270	1317	528	54	120
	width	depth	height															



FRONT



SIDE



BACK

- 1 Electrical connection
- 2 Hot water
- 3 Cold water hard
- 4 Cold water soft
- 5 Main switch
- 6 Liquid soap connection
- 7 Drain
- 8 Soap dispenser
- 9 Control panel
- 10 Button CENTRALSTOP
- 11 Door opening Ø460 mm
- 12 Fuses
- 13 USB port
- 14 Electrical connection to liquid soap pumps



High efficient hardmount industrial washer-extractors

IA332 - IA520

Features

- Rigid mounted, normal spin, 100G factor
- Stainless steel top and front panel, black side panels
- Stainless steel drum and tub
- Aries - easy to use microprocessor
- Patented soap hopper
- High capacity water inlets
- Large drain valves (2xØ76 mm)
- Easy access to all vital parts from the front
- Large door opening for easy loading & unloading

Options

- 150G factor (IA332)
- Aries Elite - fully programmable control
- Coin operated
- Stainless steel side panels
- USB plug (on the back panel)
- Liquid soap connection
- Liquid soap pumps
- Water recovery kit
- Steam heating version
- 3rd water inlet



ERGONOMICAL
CONSTRUCTION



LARGE DOOR
OPENING



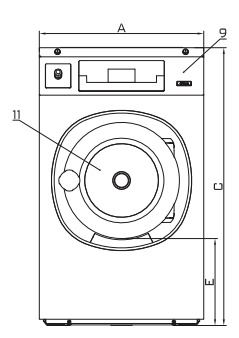
LOW WATER
CONSUMPTION



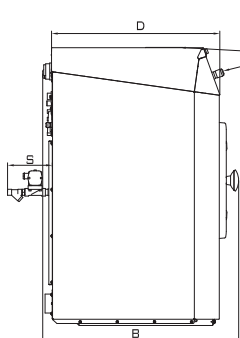
LOW ENERGY
CONSUMPTION

	IA332	IA520
Innerdrum		
Capacity 10:1	35 kg	52 kg
Capacity 9:1	39 kg	58 kg
Volume	332 l	520 l
Diameter	914 mm	914 mm
Drum speed		
Wash	38 rpm	38 rpm
Extraction	540 rpm	440 rpm
G-factor	100 (optional 150)	100
Heating		
Electricity	27 kW	40,6 kW
Steam	1-8 bar	1-8 bar
Hot water	90 °C	90 °C
Sound pressure level	<65 dB(A)	<65 dB(A)
Water valves connection	3/4" BSP	1" BSP
Water pressure	100-800 kPa	100-800 kPa
Rec. Water pressure	300-500 kPa	300-500 kPa
Water inlet	66-188 l/min	183-518 l/min
Drain valve outer	2x76 mm	2x76 mm
Flow amount with drain valve	2x210 l/min	2x210 l/min
Steam valve connection	3/4" BSP	3/4" BSP
Steam pressure	100-800 kPa	100-800 kPa
Transport data		
Gross weight	425 kg	535 kg
Net weight	410 kg	520 kg
Packing dimensions HxWxD	1625x1088x1060 mm	1625x1088x1345 mm

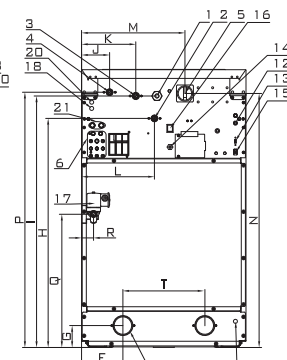
	A	B	C	D	E	F	G	H	I	J	K	L	M	N	P	Q	R	S	T
IA332	1060	1030	1500	936	465	318	120	1326	1366	113	248	383	671	1349	1413	528	66	145	482
IA520	1060	1315	1500	1221	465	318	120	1414	1374	88	223	363	671	1349	1332	528	66	145	482
	width	depth	height																



FRONT



SIDE



BACK

- 1 Electrical connection
- 2 Hot water
- 3 Cold water hard
- 4 Cold water soft
- 5 Main switch
- 6 liquid soap connection
- 7 Drain
- 8 Soap dispenser
- 9 Control panel
- 10 Button CENTRALSTOP
- 11 Door opening Ø460 mm
- 12 Fuses
- 13 USB port
- 14 Electrical connection to liquid soap pumps