



Roller ironer for on-premises laundry applications

I25-100



Features

- Attractive design
- Standard finger guard protection
- When unattended, the device shuts off automatically
- Reduced number of mechanical and moving parts for a lower maintenance cost
- Homogeneous ironing pressure to ensure top ironing quality
- PID controlled temperature regulation offering better temperature distribution and reduced energy consumption
- Long-life heating elements
- Anodised extruded aluminium profile avoiding temperature drop and ensuring top ironing quality
- All vital components are easily accessible
- Start/stop pedal
- Standard NOMEX top cover sheet
- Backside of the basin is insulated with 25mm ceramic wool
 - no energy waste
 - quick temperature rise

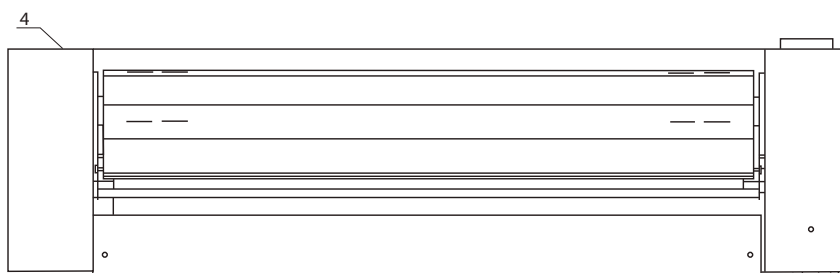
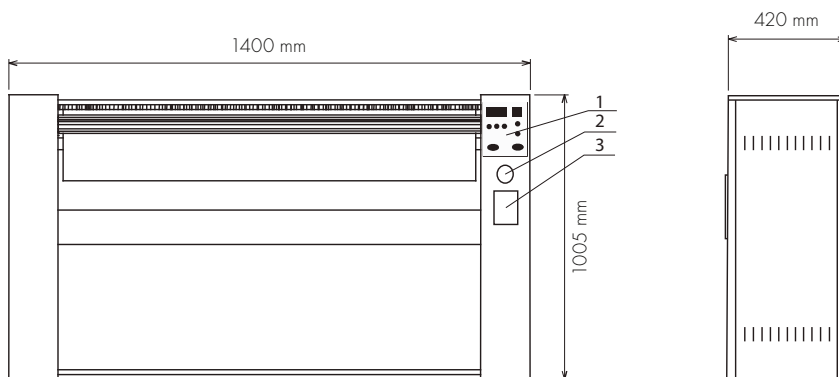
Options

- Frequency inverter enabling variable ironing speed

I25-100

Roller	
Length	1000 mm
Diameter	250 mm
Speed	3,9 (2-4*) m/min
Capacity	30 kg/h (rest humidity 10-15%)
Fuses	
230/50/1	25 A
230/50/3	16 A
230/60/1	25 A
230/60/3	16 A
400/50/3	10 A
400/60/3	10 A
440/60/3	10 A
Heating	5 kW
Total power	5,2 kW
Transport data	
Net weight	110 kg
Gross weight	119 kg
Dimensions HxWxD	1005x1400x420 mm
Volume	0,59 m ³
Packing dimensions HxWxD	1150x1480x500 mm
Volume (packed)	0,85 m ³

(* Option: variable ironing speed - frequency inverter)



- 1 Control panel
- 2 Emergency stop button
- 3 Manual roller drive
- 4 Main switch and power supply



Roller ironer for on-premises laundry applications

I25-120



Features

- Attractive design
- Standard finger guard protection
- When unattended, the device shuts off automatically
- Reduced number of mechanical and moving parts for a lower maintenance cost
- Homogeneous ironing pressure to ensure top ironing quality
- PID controlled temperature regulation offering better temperature distribution and reduced energy consumption
- Long-life heating elements
- Anodised extruded aluminium profile avoiding temperature drop and ensuring top ironing quality
- All vital components are easily accessible
- Start/stop pedal
- Standard NOMEX top cover sheet
- Backside of the basin is insulated with 25mm ceramic wool
 - no energy waste
 - quick temperature rise

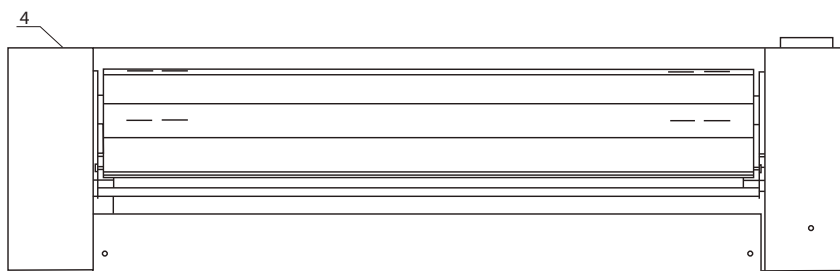
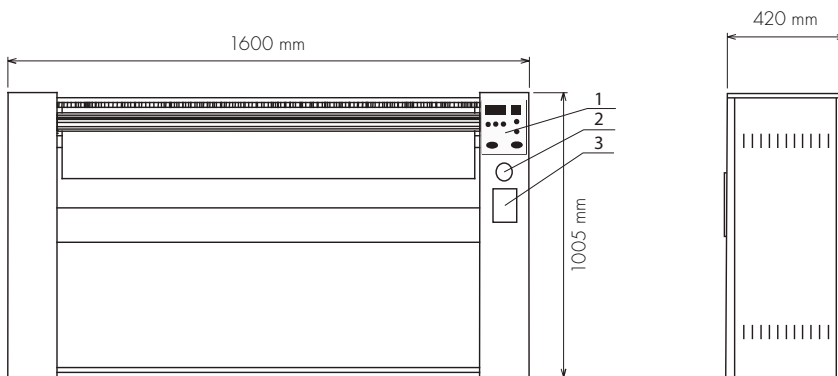
Options

- Frequency inverter enabling variable ironing speed

I25-120

Roller	
Length	1200 mm
Diameter	250 mm
Speed	3,9 m/min (2-4*)
Capacity	35 kg/h (rest humidity 10-15%)
Fuses	
230/50/1	32 A
230/50/3	16 A
230/60/1	32 A
230/60/3	16 A
400/50/3	10 A
400/60/3	10 A
440/60/3	10 A
Heating	6 kW
Total power	6,2 kW
Transport data	
Net weight	118 kg
Gross weight	130 kg
Dimensions HxWxD	1005x1600x420 mm
Volume	0,68 m ³
Packing dimensions HxWxD	1150x1680x500 mm
Volume (packed)	0,97 m ³

(*1) Option: variable ironing speed - frequency inverter



- 1 Control panel
- 2 Emergency stop button
- 3 Manual roller drive
- 4 Main switch and power supply



Roller ironer for on-premises laundry applications

I25-140



Features

- Attractive design
- Standard finger guard protection
- When unattended, the device shuts off automatically
- Reduced number of mechanical and moving parts for a lower maintenance cost
- Homogeneous ironing pressure to ensure top ironing quality
- PID controlled temperature regulation offering better temperature distribution and reduced energy consumption
- Long-life heating elements
- Anodised extruded aluminium profile avoiding temperature drop and ensuring top ironing quality
- All vital components are easily accessible
- Start/stop pedal
- Standard NOMEX top cover sheet
- Backside of the basin is insulated with 25mm ceramic wool
 - no energy waste
 - quick temperature rise

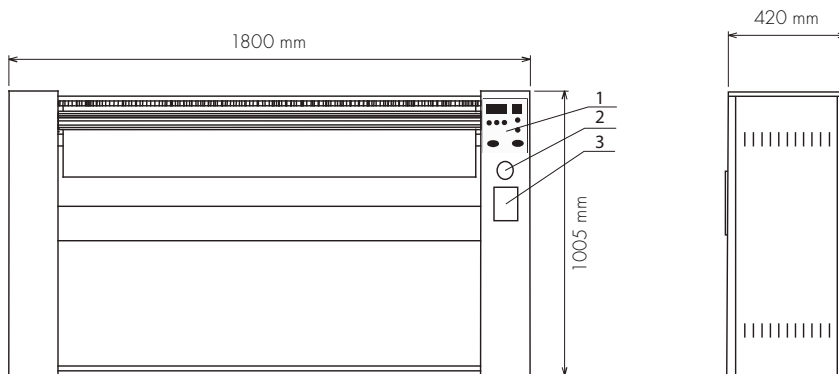
Options

- Frequency inverter enabling variable ironing speed
- Fan exhaust removing humid air from the ironer

I25-140

Roller	
Length	1400 mm
Diameter	250 mm
Speed	3,9 m/min (2-4*/**)
Capacity	40 kg/h (rest humidity 10-15%) / (20-25%**)
Fuses	
230/50/1	32 A (40 A**)
230/50/3	25 A
230/60/1	32 A (40 A**)
230/60/3	25 A
400/50/3	16 A
400/60/3	16 A
440/60/3	16 A
Heating	7 kW (8,4 kW**)
Total power	7,2 kW (8,6 kW**)
Exhaust fan	70 m ³ /h (**)
Transport data	
Net weight	135 kg
Gross weight	154 kg
Dimensions HxWxD	1005x1800x420 mm
Volume	0,76 m ³
Packing dimensions HxWxD	1150x1880x500 mm
Volume	1,1 m ³

(*) Option: variable ironing speed - frequency inverter - (**) Option AV: variable ironing speed and exhaust

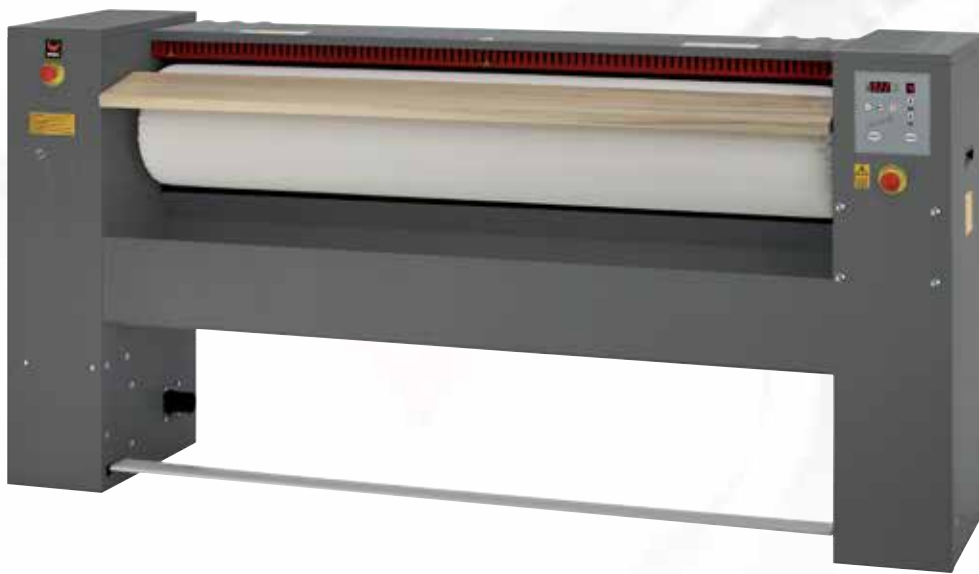


- 1 Control panel
- 2 Emergency stop button
- 3 Manual roller drive
- 4 Main switch and power supply



Roller ironer for on-premises laundry applications

I30-160



Features

- Attractive design
- Standard finger guard protection
- When unattended, the device shuts off automatically
- Reduced number of mechanical and moving parts for a lower maintenance cost
- Homogeneous ironing pressure to ensure top ironing quality
- PID controlled temperature regulation offering better temperature distribution and reduced energy consumption
- Long-life heating elements
- Anodised extruded aluminium profile avoiding temperature drop and ensuring top ironing quality

- All vital components are easily accessible
- Standard NOMEX top cover sheet
- Backside of the basin is insulated with 25mm ceramic wool
 - no energy waste
 - quick temperature rise

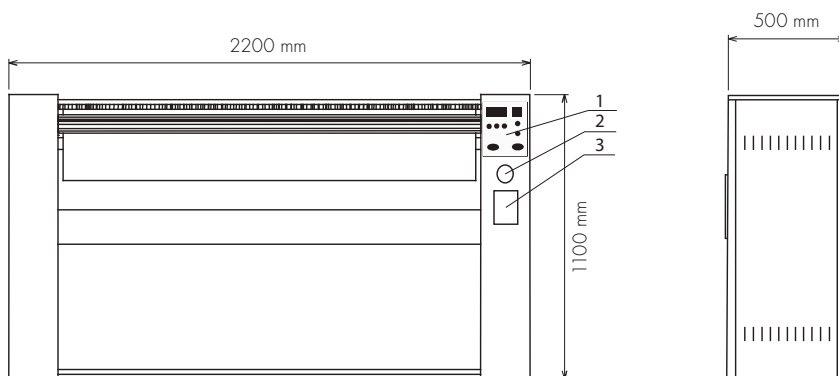
Options

- Frequency inverter enabling variable ironing speed
- Fan exhaust

I30-160

Roller	
Length	1600 mm
Diameter	290 mm
Speed	3,9 m/min (2-4 ^{**})
Capacity	32-50 kg/h (rest humidity 20-25%)
Fuses	
230/50/3	40 A
230/60/3	40 A
400/50/3	25 A
400/60/3	25 A
440/60/3	25 A
Heating	13,2 kW
Total power	13,7 kW (13,9 kW ^{**})
Exhaust fan	200 m ³ /h (^{**})
Transport data	
Net weight	262 kg
Gross weight	300 kg
Dimensions HxWxD	1100x2200x500 mm
Volume	1,21 m ³
Packing dimensions HxWxD	1260x2280x590 mm
Volume (packed)	1,69 m ³

(^{**}) Option AV: variable ironing speed and exhaust



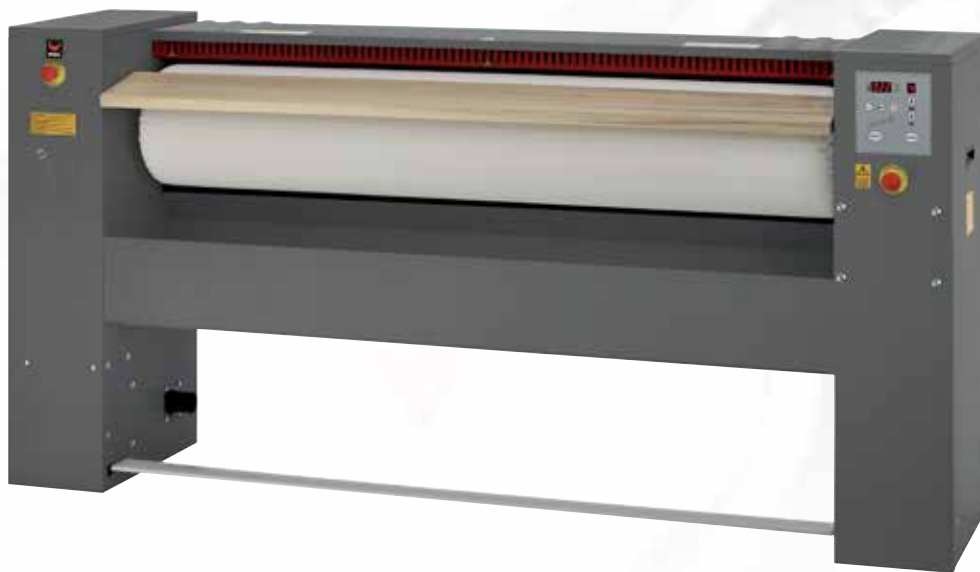
- 1 Control panel
- 2 Emergency stop button
- 3 Manual roller drive
- 4 Main switch and power supply



IPSO®

Roller ironer for on-premises laundry applications

I30-200AV

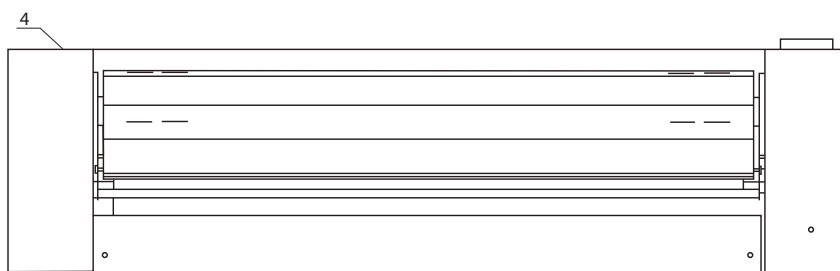
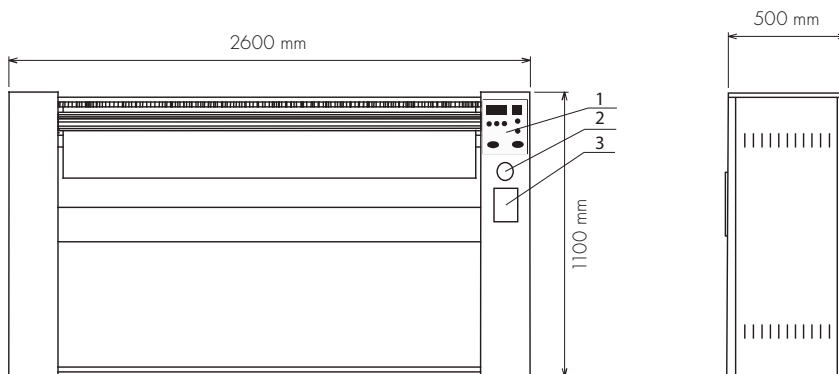


Features

- Attractive design
- Standard finger guard protection
- When unattended, the device shuts off automatically
- Reduced number of mechanical and moving parts for a lower maintenance cost
- Homogeneous ironing pressure to ensure top ironing quality
- PID controlled temperature regulation offering better temperature distribution and reduced energy consumption
- Long-life heating elements
- Anodised extruded aluminium profile avoiding temperature drop and ensuring top ironing quality
- All vital components are easily accessible
- Standard NOMEX top cover sheet
- Backside of the basin is insulated with 25mm ceramic wool
 - no energy waste
 - quick temperature rise
- Frequency inverter enabling variable ironing speed
- Fan exhaust

I30-200AV

Roller	
Length	2000 mm
Diameter	290 mm
Speed	2-4 m/min
Capacity	52-79 kg/h (rest humidity 40-45%)
Fuses	
230/50/3	50 A
230/60/3	50 A
400/50/3	32 A
400/60/3	32 A
440/60/3	32 A
Heating	16,8 kW
Total power	17,5 kW
Exhaust fan	200 m ³ /h
Transport data	
Net weight	294 kg
Gross weight	350 kg
Dimensions HxWxD	1100x2600x500 mm
Volume	1,43 m ³
Packing dimensions HxWxD	1260x2690x590 mm
Volume	1,99 m ³



- 1 Control panel
- 2 Emergency stop button
- 3 Manual roller drive
- 4 Main switch and power supply