



Dryer for semi-commercial laundry applications

CD10

Features

- Galvanized steel cylinder
- Top, front and side panels standard available in white
- Door opens 180° for easy loading and unloading
- Oversized lint filter located in front for easy cleaning
- Noiseless exhaust blower assures short drying times and low operating costs
- 5 drying programs

Options

- Top, front and side panels in stainless steel
- Coin-operated version for vended laundry applications



OPTIONAL

CD10 electric

CD10 gas

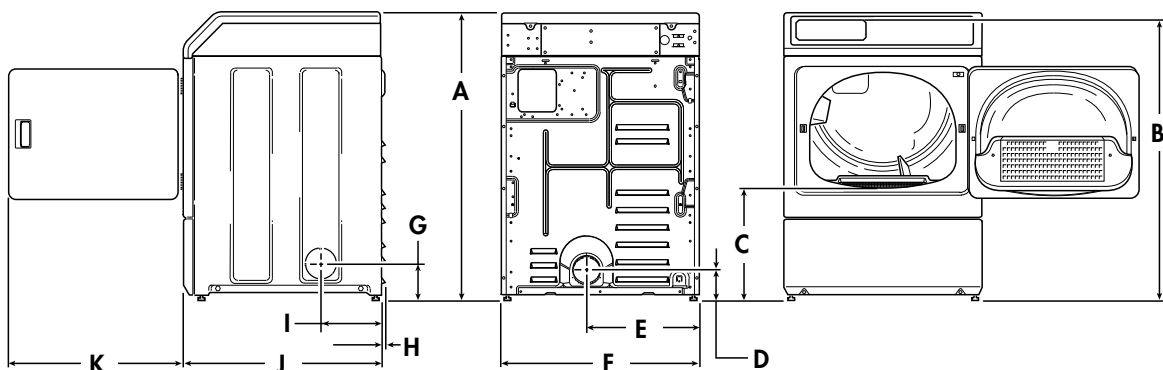
Model	BD3NGBSS403UN01	BDGNGBGS303EW01
Drum		
Capacity	8,2 kg	8,2 kg
Cylinder volume	198 l	198 l
Motor		
Motor size	0,25 kW	0,25 kW
Cabinet		
Cylinder finish	Stainless steel / Galvanized	Galvanized
Colours	Stainless steel / White	White
Door type (solid/window)	Solid	Solid
Heating		
Heat sources	Electric	Gas
Heating element	4500 kW	N/A
Connection		
Gas inlet connection	-	9,5 mm
Gas consumption	-	26,38 Mj/hr
Exhaust outlet diameter	102 mm	102 mm
Exhaust airflow	85 litres/sec	85 litres/sec
Operation		
Cycles	4	4
Cycle indicator lights	Y	Y
Power		
Electrical requirements (Voltage/Hz/Phases)	400/50/3N (15A) (conversion to 230/50/3 possible)	220-240/50/1 (10A)
Weight		
Net weight	68 kg	68 kg
Shipping weight	73 kg	73 kg
Dimensions		
Unit dimensions		
Height	1027 mm	1027 mm
Width	683 mm	683 mm
Depth	711 mm	711 mm
Packing dimensions		
Height	1169 mm	1169 mm
Width	788 mm	788 mm
Depth	864 mm	864 mm

*Heights may vary slightly depending on levelling adjustments.

A B C D E F G H I J K

OPL*	1027	1006*	392*	102*	391	683	114*	10	203	711	597
VEND	1126	1006*	392*	102*	391	683	114*	10	203	711	597

* With levelling legs turned into base.





Stack unit for semi-commercial laundry applications

CS10

Features

- Freestanding: can be installed on any floor and any level
- Double capacity in same floor space
- Top, front and side panels standard available in white
- Stainless steel outer and inner drum
- Redesigned soap box with 4 compartments
- 440 G-force extraction
 - removes more moisture
 - minimizes drying times and utility costs
- 6 wash programs with possibility of programming cycle modifier options
 - added prewash
 - extra wash time
 - extra rinse
- 5 drying programs

Options

- Top, front and side panels in stainless steel
- Coin-operated version for vended laundry applications
- Connection for liquid soap



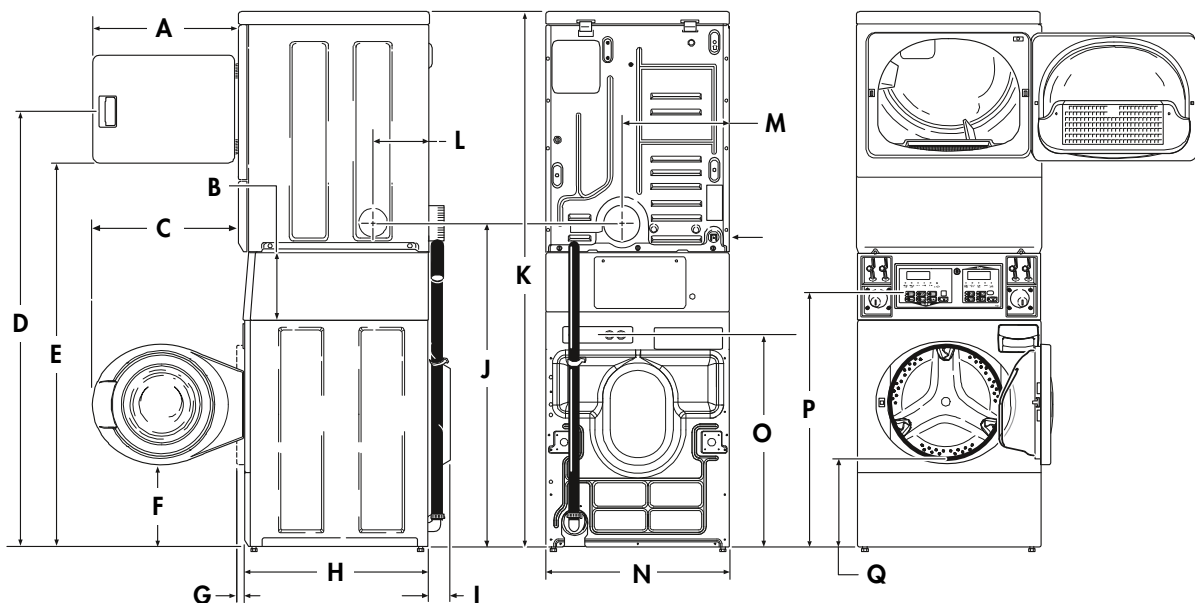
CS10 electric

Capacity	
Drum volume (washer)	96,8 l
Drum volume (dryer)	201 l
Motor	
Power motor (washer)	0,67 kW
Power motor (dryer)	0,25 kW
Cabinet	
Cylinder finish	stainless steel/galvanized
Colours	white/stainless steel
Door type (dryer)	solid
Heating	
Electric (washer)	4,8 kW
Electric (dryer)	5,35 kW
Connections	
Electrical requirements	Washer: 400/5/3N (conversion to 230/50/3 or 230/50/1 possible) Dryer: 400/50/3N (conversion to 230/50/3 possible)
Type of drain	pump/gravity
Transport data	
Gross weight	193 kg
Net weight	177 kg
Dimensions HxWxD	1986x683x704 mm
Packing dimensions HxWxD	2032x737x832 mm
Packed volume	1,25 m ³
Agency approvals	CE, Belgaqua, EAC

A B C D E F G H I J K L M N O P Q

CS10	597	225	610	1690*	1460*	333*	38,1	704	52	1211*	1986*	203	391	683	813*	938*	368*
------	-----	-----	-----	-------	-------	------	------	-----	----	-------	-------	-----	-----	-----	------	------	------

* With leveling legs turned into base.





Washer for semi-commercial laundry applications

CW10

Features

- Freestanding: can be installed on any floor and any level
- Top, front and side panels standard available in white
- Stainless steel outer and inner drum
- Door opens 180° for easy loading and unloading
- Standard drain pump
- Redesigned soap box with 4 compartments
- 440 G-force extraction
 - removes more moisture
 - minimizes drying times and utility costs
- 6 wash programs including possibility of programming cycle modifier options
 - added prewash
 - extra wash time
 - extra rinse

Options

- Top, front and side panels in stainless steel
- Drain valve
- Coin-operated version for vended laundry applications
- Connection for liquid soap



OPTIONAL

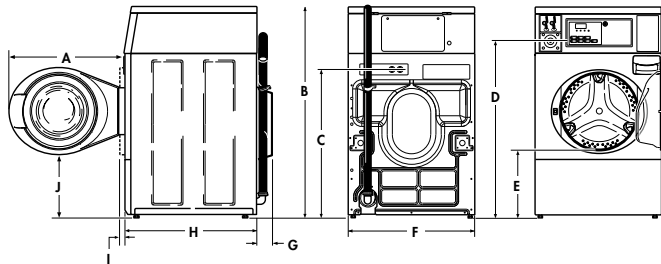
CW10 electric

Capacity	
Drum volume	96,8 l
Motor	
Power motor	0,67 kW
Cabinet	
Cylinder finish	stainless steel
Colours	white/stainless steel
Drum speed	
Spin speed	1200 rpm
G-force	440
Heating	
Electric	4,8 kW
Connections	
Electrical requirements	400/50/3N (conversion to 230/50/3 or 230/50/1 possible)
Type of drain	Pump/Gravity
Transport data	
Gross weight	132 kg
Net weight	122 kg
Dimensions HxWxD	OPL: 1027x683x704 mm - Vend: 1126x683x704 mm
Packing dimensions HxWxD	1156x737x832 mm
Packed volume	0,71m ³
Agency approvals	CE, Belgaqua, EAC

A B C D E F G H I J

CW10	610	1126	813	938	371	683	52	704	40	333
------	-----	------	-----	-----	-----	-----	----	-----	----	-----

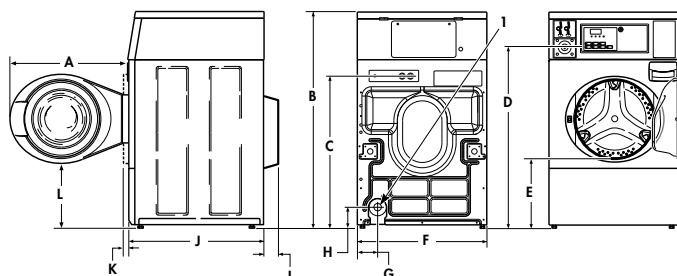
Models Equipped With Drain Hose



A B C D E F G H I J K L

CW10	610	1126	813	938	371	683	107	104	52	704	40	333
------	-----	------	-----	-----	-----	-----	-----	-----	----	-----	----	-----

Models With Gravity Drain



1 38 mm - Inside Diameter;
47 mm - Outside Diameter



IPSO®

Semi-commercial washer

FW60

Semi-commercial dryer

FD112 - FDC112 - FDHP112



Features

WASHER-EXTRACTORS

- White cabinet
- Stainless steel drum and tub
- Easy to use timer
- Mop and medical programs
- Soap hopper at the front
- Matching dryer available – space saving when placed on top

DRYERS

- White cabinet
- Stainless steel drum and tub
- Large door opening (Ø45 cm)

Options

WASHER-EXTRACTORS

- External coin meter
- Drain valve
- Liquid soap pumps
- Marine voltages available

DRYERS

- External coin meter
- Condens unit (FDC112)
- Heat pump heating (FDHP112)
- Marine voltages available



COMPACT
DESIGN



STACKABLE
UNIT



LOW ENERGY
CONSUMPTION



FW60

Drum	
Capacity	6 kg
Volume	60 l
Diameter	480 mm
Drum speed	
Extraction speed	1600 rpm
G-factor	690
Heating	
Electrical	3,2 kW
Connections	
Electrical	200V/50-60Hz/1 230V/50-60Hz/1 400-415V/50-60Hz/3+N 400-440V/60Hz/3
Water	3/4"
Circuit breaker	230V-10A / 400V-16A
Drain	
	Pump standard, drain valve optional
Transport data	
Gross weight	78 kg
Net weight	76 kg
Dimensions HxWxD	850x595x585 mm
Packing dimensions HxWxD	920x640x660 mm

FD 112 vented dryer

FDC 112 condense dryer

FDHP 112 heat pump dryer

Drum			
Capacity	6 kg	6 kg	6 kg
Volume	112 l	112 l	112 l
Diameter	571 mm	571 mm	571 mm
Heating			
Electrical	3 kW	2,5 kW	-
Connections			
Electrical	200V/50-60Hz/1 230V/50-60Hz/1 400-415V/50-60Hz/3+N 400-440V/60Hz/3	200V/50-60Hz/1 230V/50-60Hz/1 400-415V/50-60Hz/3+N 400-440V/60Hz/3	200V/50-60Hz/1 230V/50-60Hz/1 400-415V/50-60Hz/3+N 400-440V/60Hz/3
Circuit breaker	230V-10A / 400V-16A	230V-10A / 400V-16A	230V-10A / 400V-16A
Airflow	123 m³/h	123 m³/h	123 m³/h
Air evacuation	100	-	-
Transport data			
Gross weight	42 kg	46 kg	54 kg
Net weight	40 kg	44 kg	52 kg
Dimensions HxWxD	850x595x585 mm	850x595x585 mm	850x595x585 mm
Packing dimensions HxWxD	920x640x660 mm	920x640x660 mm	920x640x660 mm



Homestyle dryer for on-premises laundry applications

DD10

Features

- Top, front and side panels standard available in white
- Galvanized steel cylinder
- Door opens 180° for easy loading and unloading
- Oversized lint filter in the front for easy cleaning
- Noiseless exhaust blower assures short drying times and low operating costs
- 5 drying programs

Control

- HEC control
 - Autodry and timedry programs
 - 2 digit display
 - LED notification (dryness, heating on, door status, cooldown, ...)
 - Error codes
 - Audio signal with adjustable volume

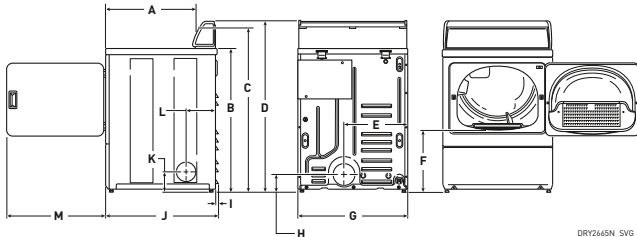


	DD10 electric	DD10 gas
Model	FDEE7RGS303UW01 or FDEE7RGS403UW01	FDGE7RGS303EW01
Capacity	8,2 kg	8,2 kg
Drum volume	198 l	198 l
Motor		
Power motor	0,25 kW	0,25 kW
Air outlet		
Diameter	102 mm	102 mm
Airflow	85 l/s (50 Hz)	85 l/s (50 Hz)
Available heat sources	electric	gas
Cylinder finish	galvanised	galvanised
Colours	white	white
Door type (solid/window)	solid	solid
Heating		
Electric	5,35 kW	-
Connections		
Gas inlet connection	-	9,5 mm
Gas consumption	-	25.000 Btu/hr
Electrical requirements	230/50/1 (30A) (model FDEE7RGS303UW01) 400/50/3N (15A) (model FDEE7RGS403UW01) conversion to 230/50/3 possible	230/50/1 (10A) (model FDGE7RGS303EW01)
Transport data		
Gross weight	66 kg	68 kg
Net weight	61 kg	64 kg
Dimensions H x W x D	1092x683x711 mm	1092x683x711 mm
Packing dimensions HxWxD	1156x737x832 mm	1156x737x832 mm
Packed volume	0,71 m ³	0,71 m ³
Agency approvals	CE, EAC	CE

	A	B	C	D	E	F	G	H	I	J	K	L	M
DD10	589*	914*	1036*	1092*	391	392*	683*	102	10	711	114*	203	597

* With leveling legs turned into base.

ELECTRIC DRYERS

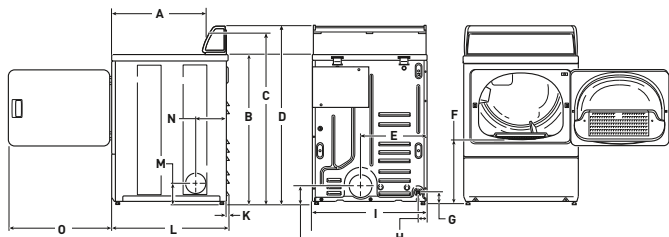


DRY2665N_SVG

	A	B	C	D	E	F	G	H	I	J	K	L	M	N	O
DD10	589	914*	1036*	1092*	391	392*	70*	60	683	102*	10	711	114*	203	597

* With leveling legs turned into base.

GAS DRYERS



DRY2665N_SVG